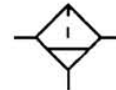


Professional Range Mark 2 Filter



Specification:

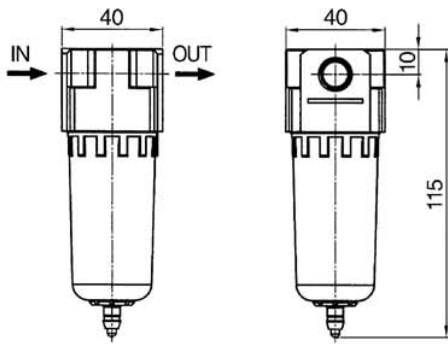
Type	FM2-02-01-F	FM2-30-02-F	FM2-40-03-F FM2-40-04-F	FM2-50-06-F/ FM2-50-10-F
Port size G	1/8" · 1/4"	1/4" · 3/8"	3/8" · 1/2"	3/4" · 1"
Gauge thread G	1/8"		1/4"	
Fluid	Air			
Operating pressure range MPa	0.15-0.85			
Max.Flow rate L/min	500	1700	3000	5000
Ambient temperature °C	-10-60			
Filter precision	Standard: 20 μ m			
Cup material	Polycarbonate			
Guard cup	-	●	●	●



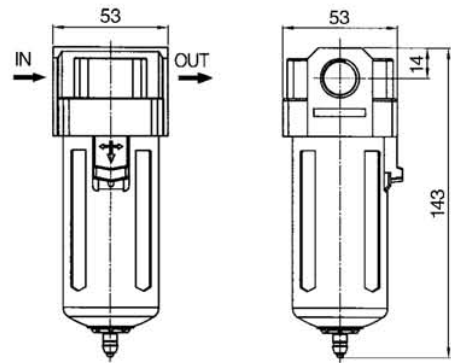
Notes 1: The guard cup of AF200A series can be optional, 2: The cups of AF200A, AF300A series can be optional

Dimension(mm):

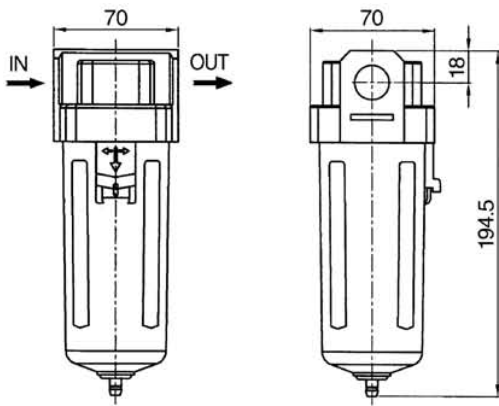
FM2-20-01-F



FM2-30-02-F



FM2-40-03-F & FM2-40-04F



FM2-50-06F & FM2-50-10F

