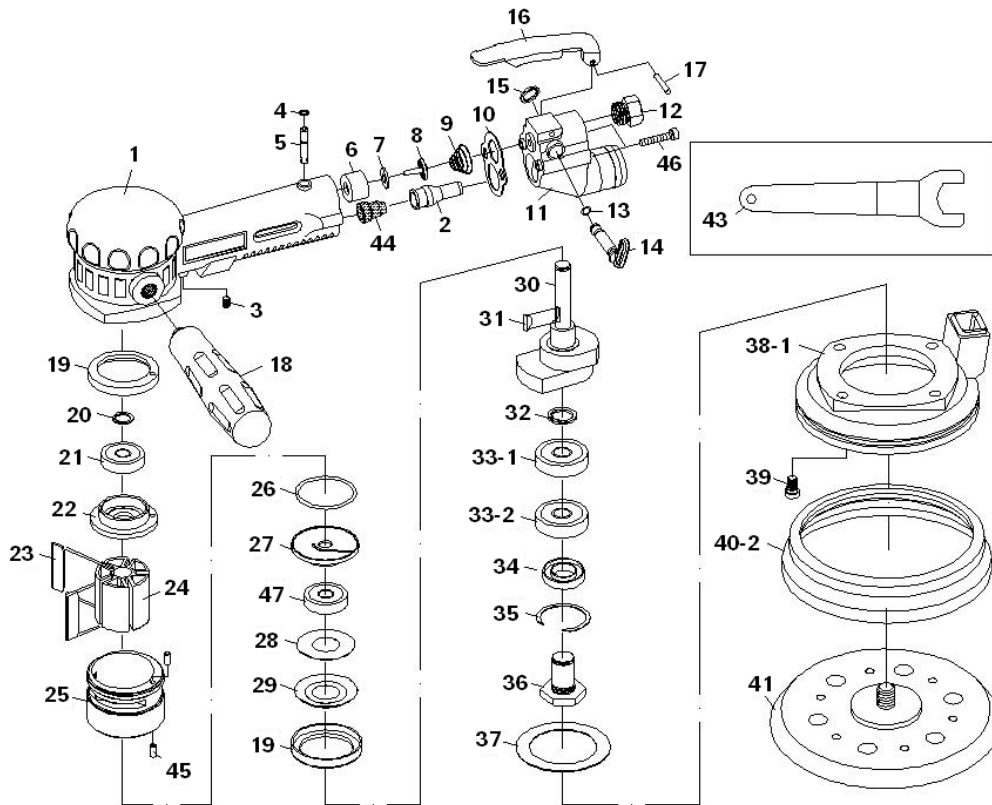


UT8709

Heavy Duty Dual Action Sander

UT8709-DC

Heavy Duty Dual Action Sander with Dust Collection



Ref No	Part No	Description
1	UT-2HS-01	Housing
2	UT-2HG-03	Muffler Body
3	UT-2HG-04	Screw
4	UT-OB-04	O-Ring
5	UT-2HG-06	Valve Stem
6	UT-2HG-07	Bushing
7	UT-OB-06	Washer
8	UT-OB-08	Valve
9	UT-OB-09	Spring
10	UT-2HG-11	Packing
11	UT-2HG-12	Housing Back Seat
12	UT-70426	Air Inlet
13	UT-2HG-13	O-Ring (2)
14	UT-2HG-15	Regulator
15	UT-2HG-16	Snap Ring
16	UT-70013	Lever
17	UT-OB-14	Pin
18	UT-20433S	Handle
19	UT-OB-16	Rubber Bushing (2)
20	UT-OB-17	Snap Ring
21	UT-OB-18	Ball Bearing
22	UT-OB-19	Rear Plate
23	UT-2HG-24	Rotor Blade (5)
24	UT-2HG-25	Rotor

Ref No	Part No	Description
25	UT-2HG-27	Cylinder
26	UT-OB-24	O-Ring
27	UT-OB-25	Front Plate
28	UT-OB-28	Washer
29	UT-E-29	Washer
30	UT-2HS-33	Shaft Balancer
31	UT-70407	Rotor Key
32	UT-OB-30	Snap Ring
33-1	UT-OB-31.1	Bearing
33-2	UT-OB-31.2	Bearing
34	UT-OB-32	Shaft Seal
35	UT-OB-33	Snap Ring
36	UT-2HS-37	Shaft
37	UT-A-47	Washer
38-1	UT-2HS-39	Housing Cover
39	UT-2HG4-32	Screw (4)
40-2	UT-2HG-50	Shroud
41	UT-OB-38.2-1	Pad 6"
43	UT-OB-39	Stop Spanner
44	UT-2HG-02	Cone Muffler
45	UT-81326	Pin (2)
46	UT-2HG-12.1	Screw (2)
47	UT-OB-26	Ball Bearing
12N	UT-ST2HG4	Housing Back Seat for Non Vacuum Sander